

File Monitor About

Description: KV997
 Programmer: connected
 Product Connected: not connected
 Product Software ver.:
 Program: --
 Read: --

Ignition Test
 Test Spark Execution

Ignition Parameters

Ignition Map #1
 6 Nr. of Points + - deg

1	2	3	4	5	6	7	8	9	10	11	12
1000	1500	3000	4500	6000	9500	10000	10500	11000	11500	12600	12700
18.0	18.0	32.0	30.0	18.0	18.0	18.0	15.0	15.0	15.0	15.0	15.0

1000 RPM
18.0 deg

Ignition Map #2
 5 Nr. of Points + - deg

1	2	3	4	5	6	7	8	9	10	11	12
2000	3000	4500	7000	9000	13000	13200	13300	13400	13500	13600	13700
17.0	25.0	25.0	17.0	16.0	18.0	18.0	18.0	18.0	18.0	18.0	18.0

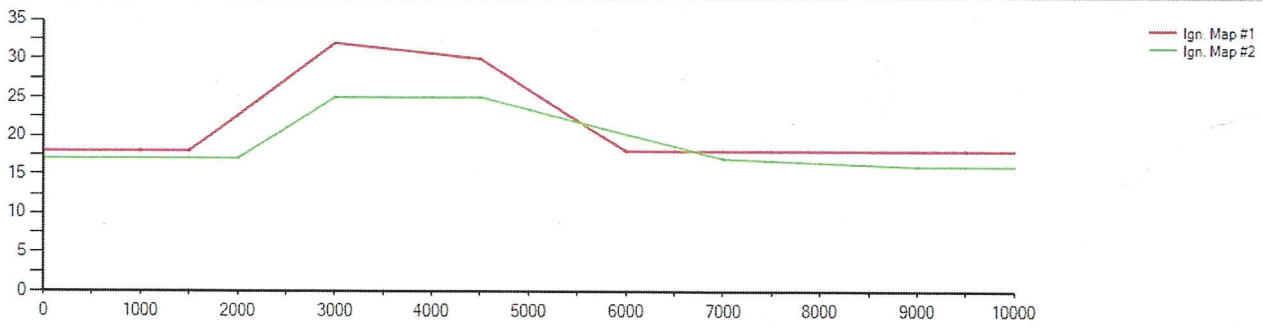
2000 RPM
17.0 deg

Ign. Map Switch
 1 Select Ignition Map
 40.0 Static Angle [°]
 30 Delay Compensation [us]
 0.0 Advance [°]
 8000 Rev Limit [rpm]

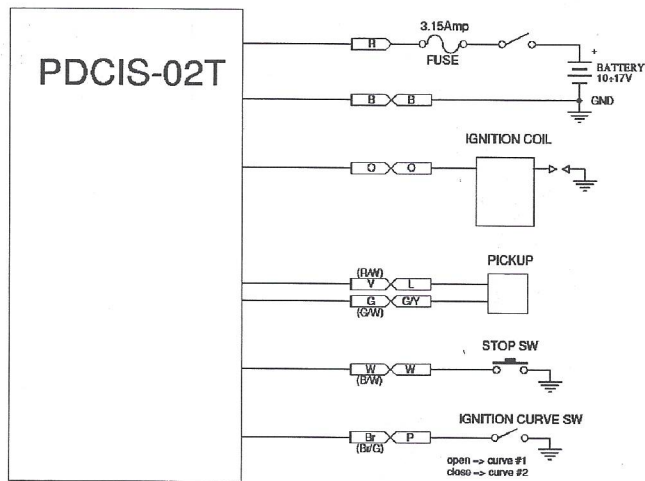
Trigger Mode
 only [+] signal
 [+] and [-] signal

Stop Switch Mode
 Low Level Stop
 High Level Stop
 Latching Stop

Trigger Type
 2
 1 = single lobe
 2 = twin lobe
 3 = one short and two long lobes



Wiring diagram KV997



Automatic power down mode.
 Power down current draw is 0.0005Amp.
 Power supply switch is not necessary.

COLOUR CODES:

- B - black
- Br - brown
- G - green
- R - red
- O - orange
- L - blue
- W - white
- V - violet